

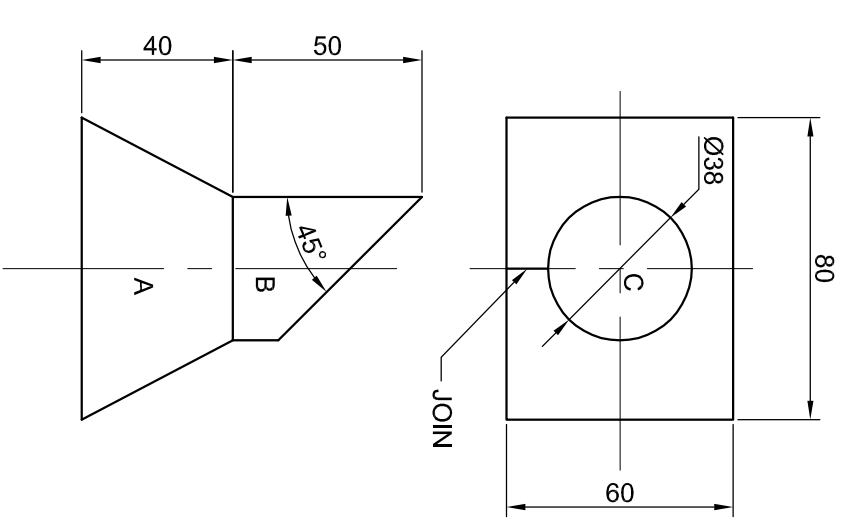
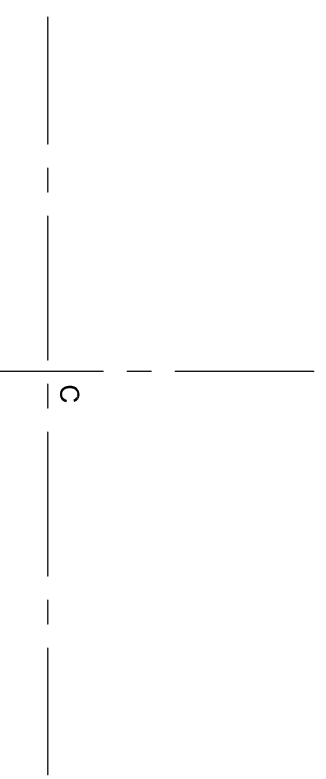


QUESTION 2: DEVELOPMENT

Given:
The front view and top view of a steam extraction unit for a bakery. The unit consists of transition piece (A) and a truncated cylindrical pipe (B).

Instructions:

- 2.1 Draw the given views of the extraction unit using point C as reference point.
 - 2.2 Develop the surface of the transition piece (A).
 - 2.3 Develop the surface of the truncated cylindrical pipe (B).
- [41]**



ASSESSMENT CRITERIA	
Given views	4
True lengths constructions	5
Development A	20
Development B	10
Calculations	2
TOTAL	41

NAME	
NAME	
NAME	

3